

LED Lamp

 T8 ELED-T8/LPF

Application

This LED lamp is designed to replace conventional lamp which is safe cost and save energy depending on each lamp types. There is no UV, long lifetime, etc.

Specification

Housing Frosted Glass Tube is excellent designed to protect injury cause of electric shock

Description Energy saving up to 55 %
No UV and IR non-dimmable
Recommend to remove ballast for existing luminaires
Double side wiring for LED T8 lamp
White encap : P.F <0.5, RA>70
Green encap : P.F.<0.5, RA>80

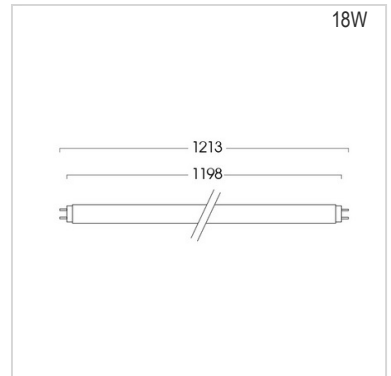
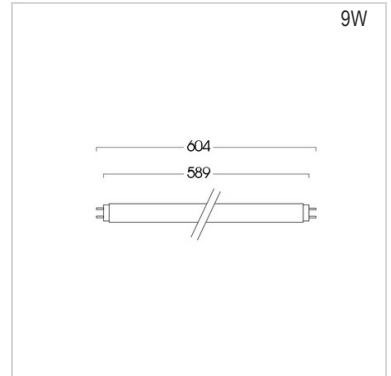
Power Source LED-Module
Lamp Holder G13
Lamp Colour 6500K
Lamp Output ECOSAVE PLUS 9/18W: 900/1800 lm
ECOSAVE 9/18W:1200/2400 lm

Beam Angle 200 degree
Control Gear built-in driver
Power Supply 220VAC 50Hz
LED Lifetime ECOSAVE PLUS 15000 Hrs
ECOSAVE 25000 Hrs

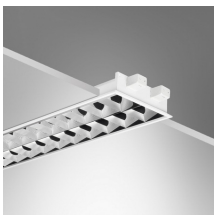
Equivalent 9/18W : T8: 18/36W , T5: 14/28W

Ordering Data

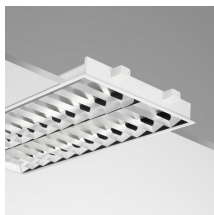
Model	Watt
LUMAX#ECOSAVE PLUS T8-900LM/730/9W/OT	9W
LUMAX#ECOSAVE PLUS T8-900LM/740/9W/OT	9W
LUMAX#Ecosave Plus T8-900LM/765/9W/OT	9W
LUMAX#ECOSAVE T8-1200LM/865/9W/OT (green)	9W
LUMAX#ECOSAVE PLUS T8-1800LM/730/18W/OT	18W
LUMAX#ECOSAVE PLUS T8-1800LM/740/18W/OT	18W
LUMAX#Ecosave Plus T8-1800LM/765/18W/OT	18W
LUMAX#ECOSAVE T8-2400LM/840/18W/OT (green)	18W
LUMAX#ECOSAVE T8-2400LM/865/18W/OT (green)	18W



Related Products



Recessed Luminaire



Surface Luminaire

