

PSF40-091/WH

PENDANT LUMINAIRE -E27 x 1

LUMAX

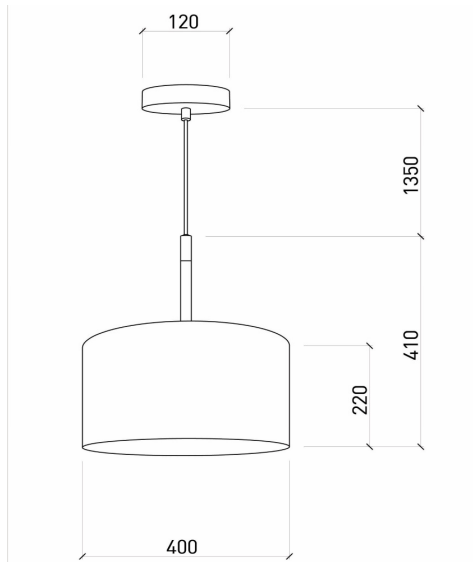


APPLICATIONS

- * RECREATIONAL CENTERS, HOTELS
- * RESTAURANTS
- * RESIDENTIALS
- * OTHER INDOOR APPLICATIONS WHERE PENDANT LUMINAIRE IS REQUIRED

SPECIFICATION FEATURES

- * LAMP : P SHAPE 40W, LED 6W
- * SOCKET : E27x1
- * SIZE : Dia 400 x H410 mm (w/o Cable Length)
- * MATERIAL : Fabric Shade with Wooden Stick
Metal Plate



ORDERING DATA

CATALOG NO.	COLOR	LAMP TYPE	REMARKS
PSF40-091/WH /E27x1	WHITE	P SHAPE 40W	