

WSC20-062

WALLMOUNT LUMINAIRE - Candle Lamp 40W E14 x 2



LIGHTING & EQUIPMENT
PUBLIC COMPANY LIMITED

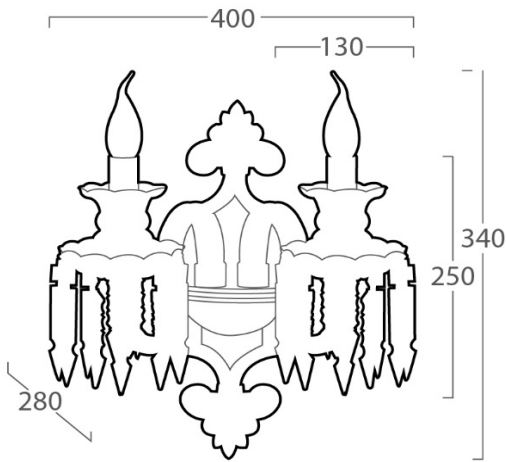


APPLICATIONS

- * RECREATIONAL CENTERS, HOTELS
- * RESTAURANTS
- * RESIDENTIALS
- * OTHER INDOOR APPLICATIONS WHERE WALLMOUNT LUMINAIRE IS REQUIRED

SPECIFICATION FEATURES

- * LAMP : Candle Lamp 40W, LED 3W
- * SOCKET : E14 x 2
- * SIZE : W400 x 280 x H340 mm
- * MATERIAL : Metal Body, Clear Crystal



ORDERING DATA

CATALOG NO.	COLOR	LAMP TYPE	REMARKS
WSC20-062 /E14x2	CHROME	Candle Lamp 40W	