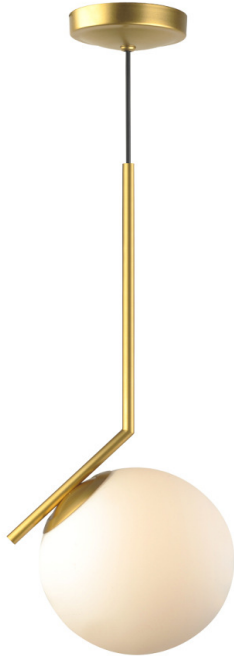


# PSG25-131

PENDANT LUMINAIRE - E27x1



**LIGHTING &  
EQUIPMENT**  
PUBLIC COMPANY LIMITED

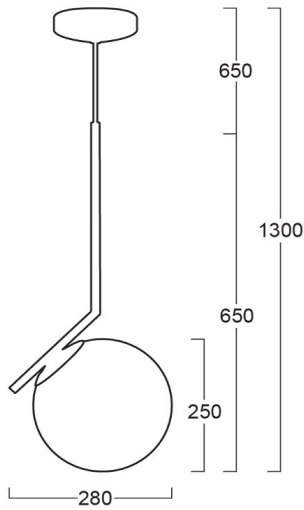


## APPLICATIONS

- \* RECREATIONAL CENTERS, HOTELS
- \* RESTAURANTS
- \* RESIDENTIALS
- \* OTHER INDOOR APPLICATIONS WHERE  
PENDANT LUMINAIRE IS REQUIRED

## SPECIFICATION FEATURES

- \* LAMP : LED 3W
- \* SOCKET : E27 x 1
- \* SIZE : dia 280 x H1300 mm (Include cable)
- \* Material : Metal in Brass color, Opal Glass



## ORDERING DATA

CATALOG NO.	COLOR	LAMP TYPE	REMARKS
PSG25-131 /E27x1	Brass	LED 3W	