

# PSS30-121

PENDANT LUMINAIRE - /E27x1



LIGHTING &  
EQUIPMENT  
PUBLIC COMPANY LIMITED

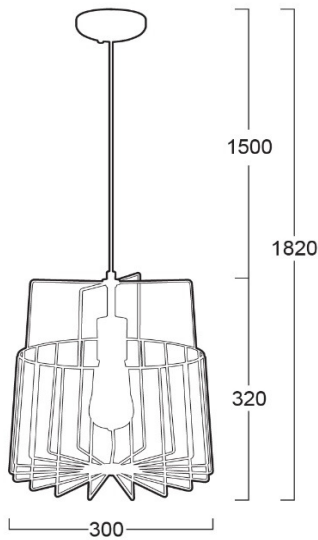


## APPLICATIONS

- \* RECREATIONAL CENTERS, HOTELS
- \* RESTAURANTS
- \* RESIDENTIALS
- \* OTHER INDOOR APPLICATIONS WHERE  
PENDANT LUMINAIRE IS REQUIRED

## SPECIFICATION FEATURES

- \* LAMP : LED 3W
- \* SOCKET : E27x1
- \* SIZE : D300 x H320 mm (w/o Cable Length)
- \* Material : Painted Metal body in Black  
Gold color Lamp holder cover



## ORDERING DATA

CATALOG NO.	COLOR	LAMP TYPE	REMARKS
PSS30-121 /E27x1	BLACK	LED 3W	