

# PWA35-051 /PI

## PENDANT LUMINAIRE - E27x1



**LIGHTING &  
EQUIPMENT**  
PUBLIC COMPANY LIMITED

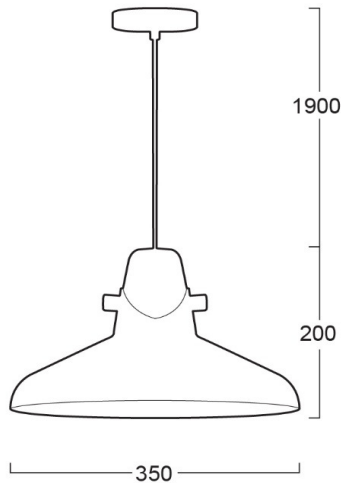


### APPLICATIONS

- \* RECREATIONAL CENTERS, HOTELS
- \* RESTAURANTS
- \* RESIDENTIALS
- \* OTHER INDOOR APPLICATIONS WHERE  
PENDANT LUMINAIRE IS REQUIRED

### SPECIFICATION FEATURES

- \* LAMP : LED 3 - 8W
- \* SOCKET : E27 x 1
- \* SIZE : dia 350 x H200 mm (W/O Cable Length)
- \* Material : Aluminum Shade in Pink Color  
Top part of shade is Wood



### ORDERING DATA

CATALOG NO.	COLOR	LAMP TYPE	REMARKS
PWA35-051/PI/E27x1	PINK		