

PSS79-013

PENDANT LUMINAIRE - LED 15W



LIGHTING &
EQUIPMENT
PUBLIC COMPANY LIMITED

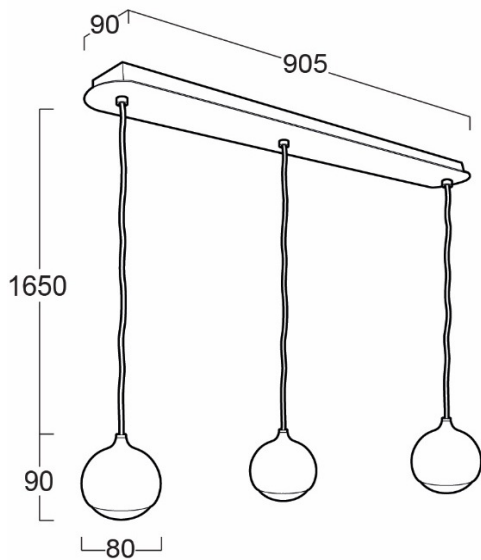


APPLICATIONS

- * RECREATIONAL CENTERS, HOTELS
- * RESTAURANTS
- * RESIDENTIALS
- * OTHER INDOOR APPLICATIONS WHERE PENDANT LUMINAIRE IS REQUIRED

SPECIFICATION FEATURES

- * LAMP : LED 5Wx3
- * SOCKET : N/A
- * SIZE : W905 x 90 x 1700 mm (Include Cable Length)
- * MATERIAL : Metal body in Rose Gold Color



ORDERING DATA

CATALOG NO.	COLOR	LAMP TYPE	REMARKS
PSS79-013 /LED15W	Rose Gold		