

PSS38-041

PENDANT LUMINAIRE - E27x1

LUMAX

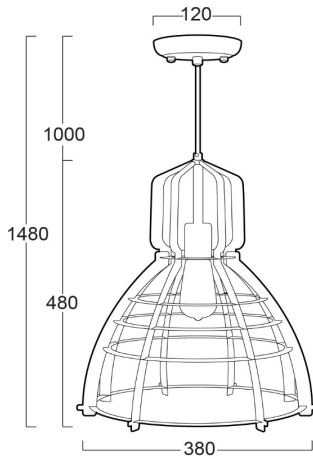


APPLICATIONS

- * RECREATIONAL CENTERS, HOTELS
- * RESTAURANTS
- * RESIDENTIALS
- * OTHER INDOOR APPLICATIONS WHERE PENDANT LUMINAIRE IS REQUIRED

SPECIFICATION FEATURES

- * LAMP : ST64 LED3W
- * SOCKET : E27x1
- * SIZE : Dia 380 x H480 mm (w/o cable length)
- * MATERIAL : Metal painted in Black Color



ORDERING DATA

CATALOG NO.	COLOR	LAMP TYPE	REMARKS
PSS38-041 /E27x1	BLACK	LED 3W	