

# TPF25-031 /WH

TABLE LUMINAIRE - E27x1



**LIGHTING &  
EQUIPMENT**  
PUBLIC COMPANY LIMITED

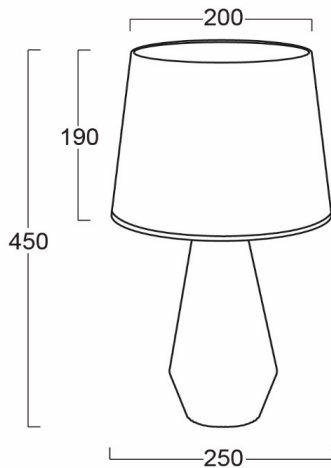


## APPLICATIONS

- \* RECREATIONAL CENTERS, HOTELS
- \* RESTAURANTS
- \* RESIDENTIALS
- \* OTHER INDOOR APPLICATIONS WHERE  
TABLE LUMINAIRE IS REQUIRED

## SPECIFICATION FEATURES

- \* LAMP : LED 3W
- \* SOCKET : E27x1
- \* SIZE : dia 250 x H450 mm
- \* MATERIAL : Resin and Metal Body  
in White fabric shade



## ORDERING DATA

CATALOG NO.	COLOR	LAMP TYPE	REMARKS
TPF25-031/WH /E27x1	WHITE		