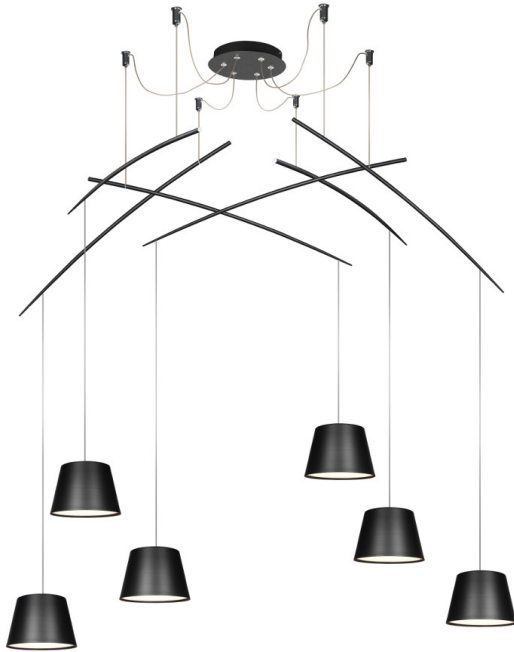


PSP120-106

PENDANT LUMINAIRE - LED 42W



**LIGHTING &
EQUIPMENT**
PUBLIC COMPANY LIMITED

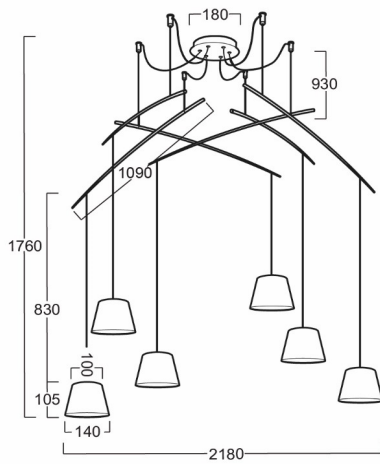


APPLICATIONS

- * RECREATIONAL CENTERS, HOTELS
- * RESTAURANTS
- * RESIDENTIALS
- * OTHER INDOOR APPLICATIONS WHERE
PENDANT LUMINAIRE IS REQUIRED

SPECIFICATION FEATURES

- * LAMP : LED 6W x 7 3000K
- * SOCKET : N/A
- * SIZE : dia 2180 x 1760 mm (include cable length)
(Depend on how install the fixture)
- * MATERIAL : Metal and Acrylic



ORDERING DATA

CATALOG NO.	COLOR	LAMP TYPE	REMARKS
PSP120-106 /LED42W	BLACK	LED	