

PSG55-036

PENDANT LUMINAIRE - E14x6

LUMAX

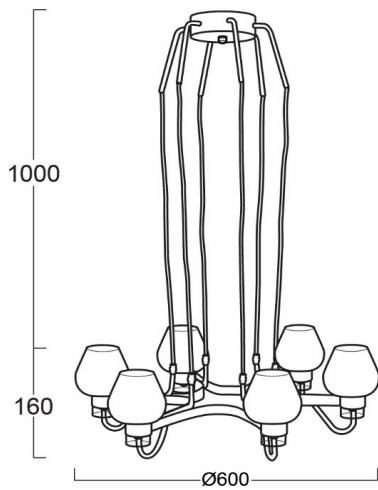


APPLICATIONS

- * RECREATIONAL CENTERS, HOTELS
- * RESTAURANTS
- * RESIDENTIALS
- * OTHER INDOOR APPLICATIONS WHERE PENDANT LUMINAIRE IS REQUIRED

SPECIFICATION FEATURES

- * LAMP : B45 LED 3W
- * SOCKET : E14x6
- * SIZE : dia 600 x 1100 mm (Include Cable length)
- * MATERIAL : Metal Body and Smoke Grey Glass



ORDERING DATA

CATALOG NO.	COLOR	LAMP TYPE	REMARKS
PSG55-036 /E14x6	BROWN	LED 3W	