

# PSG75-048

PENDANT LUMINAIRE - E14x8

# LUMAX

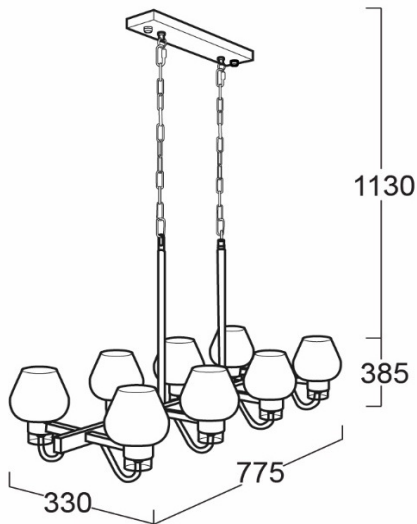


## APPLICATIONS

- \* RECREATIONAL CENTERS, HOTELS
- \* RESTAURANTS
- \* RESIDENTIALS
- \* OTHER INDOOR APPLICATIONS WHERE PENDANT LUMINAIRE IS REQUIRED

## SPECIFICATION FEATURES

- \* LAMP : B45 LED 3W
- \* SOCKET : E14x8
- \* SIZE : W775 x 330 x 1400 mm (Include Chain length)
- \* MATERIAL : Metal Body and Smoke Grey Glass



## ORDERING DATA

CATALOG NO.	COLOR	LAMP TYPE	REMARKS
PSG75-048 /E14x8	BROWN	LED 3W	