

PSG96-018

PENDANT LUMINAIRE - E14x8



**LIGHTING &
EQUIPMENT**
PUBLIC COMPANY LIMITED

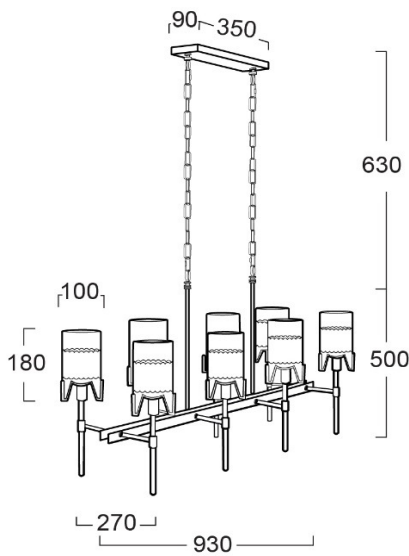


APPLICATIONS

- * RECREATIONAL CENTERS, HOTELS
- * RESTAURANTS
- * RESIDENTIALS
- * OTHER INDOOR APPLICATIONS WHERE PENDANT LUMINAIRE IS REQUIRED

SPECIFICATION FEATURES

- * LAMP : LED 3W
- * SOCKET : E14x8
- * SIZE : W930 x 270 x H500 mm (w/o Chain length)
- * Material : Metal Body in Black and Gold Color
Hand Craft Glass



ORDERING DATA

CATALOG NO.	COLOR	LAMP TYPE	REMARKS
PSG96-018 /E14x8	Black / Gold	LED 3W	