

PSS36-051 /BK/WH

PENDANT LUMINAIRE - E27x1



LIGHTING &
EQUIPMENT
PUBLIC COMPANY LIMITED

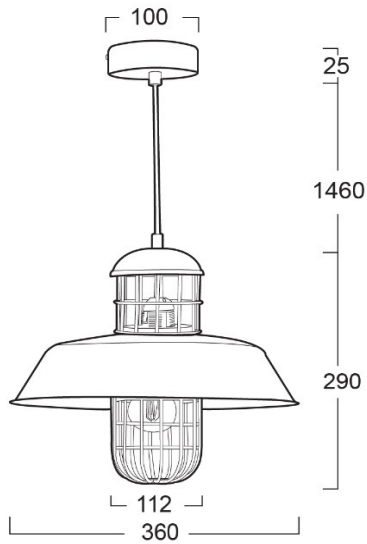


APPLICATIONS

- * RECREATIONAL CENTERS, HOTELS
- * RESTAURANTS
- * RESIDENTIALS
- * OTHER INDOOR APPLICATIONS WHERE PENDANT LUMINAIRE IS REQUIRED

SPECIFICATION FEATURES

- * LAMP : LED 3W
- * SOCKET : E27x1
- * SIZE : dia 360 x 1700 mm (Include Cable Length)
- * MATERIAL : Metal Body in Black and White Color



ORDERING DATA

CATALOG NO.	COLOR	LAMP TYPE	REMARKS
PSS36-051/BK/WH /E27x1	BLACK / WHITE		