

PSF84-028

PENDANT LUMINAIRE - E27x8



LIGHTING &
EQUIPMENT
PUBLIC COMPANY LIMITED

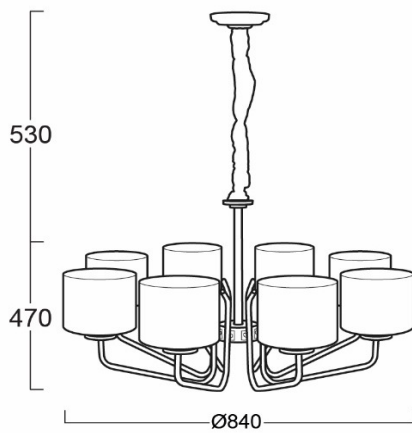


APPLICATIONS

- * RECREATIONAL CENTERS, HOTELS
- * RESTAURANTS
- * RESIDENTIALS
- * OTHER INDOOR APPLICATIONS WHERE
PENDANT LUMINAIRE IS REQUIRED

SPECIFICATION FEATURES

- * LAMP : LED 3W
- * SOCKET : E27x8
- * SIZE : dia 840 x H470 mm (w/o Chain length)
- * Material : Metal Body in Gold and Black Color
White Fabric Shade



ORDERING DATA

CATALOG NO.	COLOR	LAMP TYPE	REMARKS
PSF84-028 /E27x8	GOLD	LED 3W	