

PWS85-013

PENDANT LUMINAIRE - E27x3



LIGHTING &
EQUIPMENT
PUBLIC COMPANY LIMITED

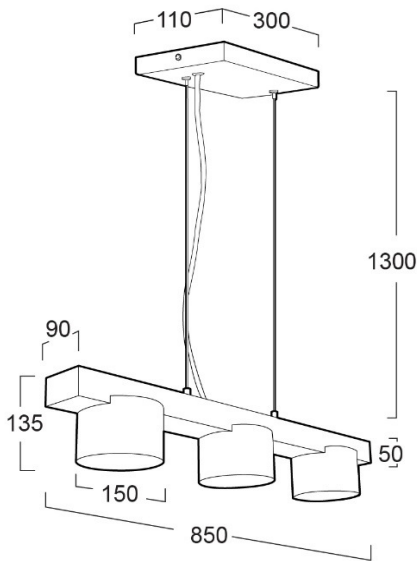


APPLICATIONS

- * RECREATIONAL CENTERS, HOTELS
- * RESTAURANTS
- * RESIDENTIALS
- * OTHER INDOOR APPLICATIONS WHERE
PENDANT LUMINAIRE IS REQUIRED

SPECIFICATION FEATURES

- * LAMP : LED 3W
- * SOCKET : E27x3
- * SIZE : W850 x 150 x 135 mm (w/o Cable Length)
- * MATERIAL : Wood and Metal Shade



ORDERING DATA

CATALOG NO.	COLOR	LAMP TYPE	REMARKS
PWS85-013 /E27x3	BLACK	LED 3W	