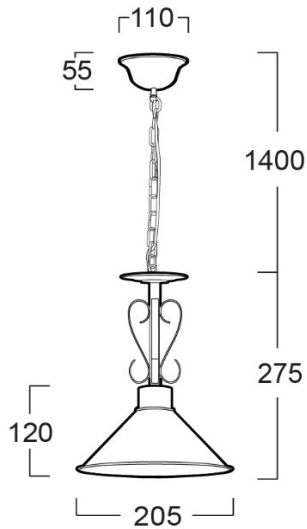


PSS26-051/BK

PENDANT LUMINAIRE - E27x1

LUMAX



APPLICATIONS

- * RECREATIONAL CENTERS, HOTELS
- * RESTAURANTS
- * RESIDENTIALS
- * OTHER INDOOR APPLICATIONS WHERE PENDANT LUMINAIRE IS REQUIRED

SPECIFICATION FEATURES

- * LAMP : LED 3W
- * SOCKET : E27x1
- * SIZE : Dia 205 x H275 mm (Not Include chain length)
- * MATERIAL : Metal Body in Black Color
Inside Shade Gold Color

ORDERING DATA

CATALOG NO.	COLOR	LAMP TYPE	REMARKS
PSS26-051/BK /E27x1	BLACK	LED3W	