

PSS26-061/CO

PENDANT LUMINAIRE - E27x1

LUMAX

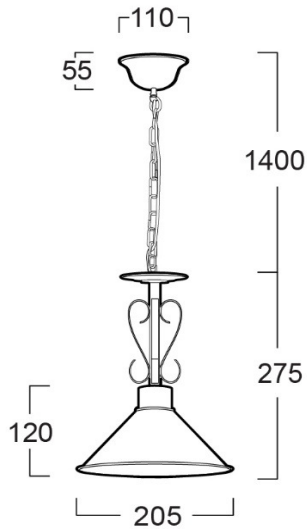


APPLICATIONS

- * RECREATIONAL CENTERS, HOTELS
- * RESTAURANTS
- * RESIDENTIALS
- * OTHER INDOOR APPLICATIONS WHERE PENDANT LUMINAIRE IS REQUIRED

SPECIFICATION FEATURES

- * LAMP : LED 3W
- * SOCKET : E27x1
- * SIZE : Dia 205 x H275 mm (Not Include chain length)
- * MATERIAL : Metal Body in Brass Color



ORDERING DATA

| CATALOG NO. | COLOR | LAMP TYPE | REMARKS |
|---------------------|-------|-----------|---------|
| PSS26-061/CO /E27x1 | BRASS | LED3W | |