

PSW76-017

PENDANT LUMINAIRE -E27x7

LUMAX

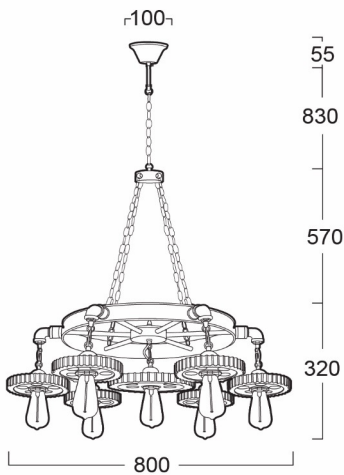


APPLICATIONS

- * RECREATIONAL CENTERS, HOTELS
- * RESTAURANTS
- * RESIDENTIALS
- * OTHER INDOOR APPLICATIONS WHERE PENDANT LUMINAIRE IS REQUIRED

SPECIFICATION FEATURES

- * LAMP : LED 6W
- * SOCKET : E27x7
- * SIZE : Dia 800 x 900 mm
- * MATERIAL : Metal Body in Rustic Brown Color
- * WEIGHT : 9 Kgs



ORDERING DATA

CATALOG NO.	COLOR	LAMP TYPE	REMARKS
PSW76-017 /E27x7	Rustic Brown	LED 6W	