

CSC48-210

CEILING LUMINAIRE - E14x10



LIGHTING &
EQUIPMENT
PUBLIC COMPANY LIMITED

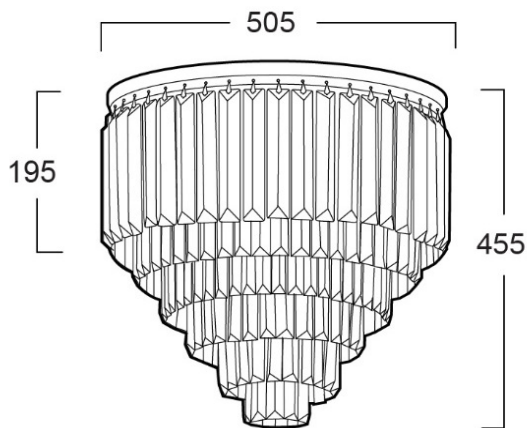


APPLICATIONS

- * RECREATIONAL CENTERS, HOTELS
- * RESTAURANTS
- * RESIDENTIALS
- * OTHER INDOOR APPLICATIONS WHERE
CEILING LUMINAIRE IS REQUIRED

SPECIFICATION FEATURES

- * LAMP : LED 3W
- * SOCKET : E14x10
- * SIZE : dia 500 x H455 mm
- * MATERIAL : Metal Plate in Chrome Color
and Clear Crystal
- * NET WEIGHT : 15 KGs



ORDERING DATA

CATALOG NO.	COLOR	LAMP TYPE	REMARKS
CSC48-210 /E14x10	CHROME		