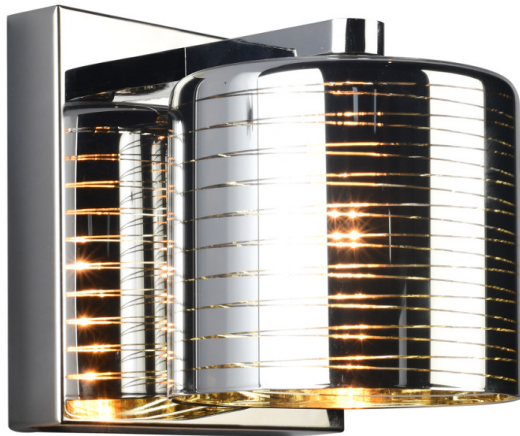


# WSG12-111

WALLMOUNT LUMINAIRE - G9 x 1



LIGHTING &  
EQUIPMENT  
PUBLIC COMPANY LIMITED

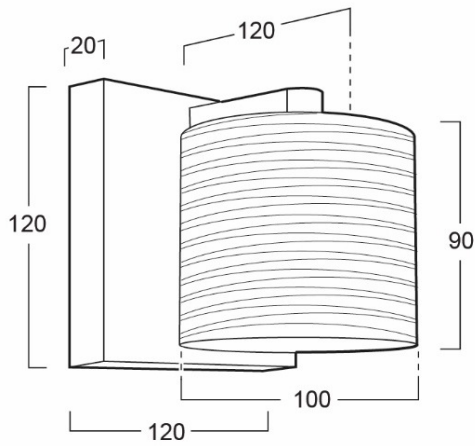


## APPLICATIONS

- \* RECREATIONAL CENTERS, HOTELS
- \* RESTAURANTS
- \* RESIDENTIALS
- \* OTHER INDOOR APPLICATIONS WHERE WALLMOUNT LUMINAIRE IS REQUIRED

## SPECIFICATION FEATURES

- \* LAMP : LED 2W
- \* SOCKET : G9 x 1
- \* SIZE : W120 x 120 x H120 mm
- \* Material : Metal Body and Glass shade



## ORDERING DATA

CATALOG NO.	COLOR	LAMP TYPE	REMARKS
WSG12-111 /G9x1	CHROME	G9	