

WSG12-121

WALLMOUNT LUMINAIRE - G9 x 1



**LIGHTING &
EQUIPMENT**
PUBLIC COMPANY LIMITED

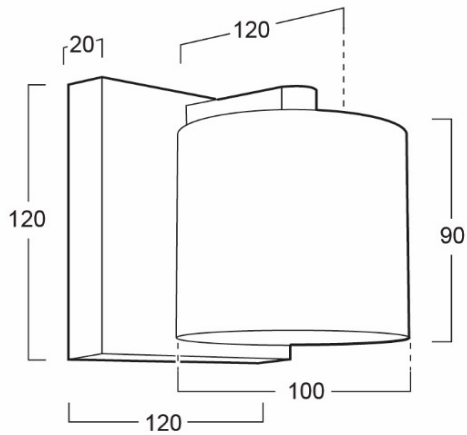


APPLICATIONS

- * RECREATIONAL CENTERS, HOTELS
- * RESTAURANTS
- * RESIDENTIALS
- * OTHER INDOOR APPLICATIONS WHERE WALLMOUNT LUMINAIRE IS REQUIRED

SPECIFICATION FEATURES

- * LAMP : LED 2W
- * SOCKET : G9 x 1
- * SIZE : W120 x 120 x H120 mm
- * Material : Metal Body and Droplets glass shade



ORDERING DATA

CATALOG NO.	COLOR	LAMP TYPE	REMARKS
WSG12-121 /G9x1	CHROME	G9	