

PSF56-013

6PENDANT LUMINAIRE - E27x3



LIGHTING &
EQUIPMENT
PUBLIC COMPANY LIMITED

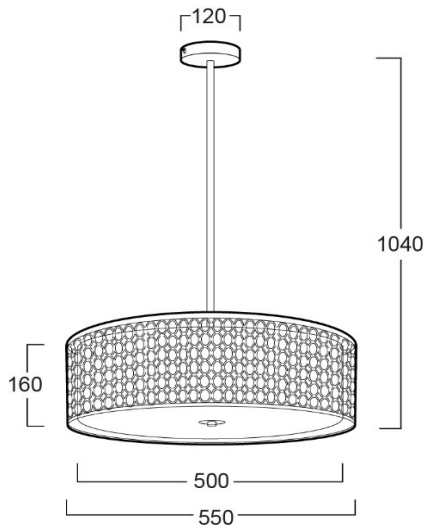


APPLICATIONS

- * RECREATIONAL CENTERS, HOTELS
- * RESTAURANTS
- * RESIDENTIALS
- * OTHER INDOOR APPLICATIONS WHERE PENDANT LUMINAIRE IS REQUIRED

SPECIFICATION FEATURES

- * LAMP : LED 3W
- * SOCKET : E27x3
- * SIZE : dia 550 x 1000 mm (Include Metal Tube)
- * MATERIAL : Metal Body and Fabric shade with Acrylic Cover



ORDERING DATA

CATALOG NO.	COLOR	LAMP TYPE	REMARKS
PSF56-013 /E27x3	SILVER		