

# PSS25-151

PENDANT LUMINAIRE - E27x1

**LUMAX**



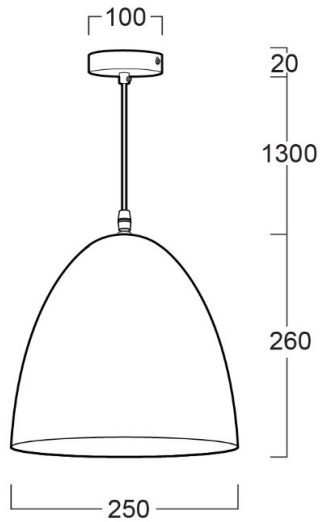
## APPLICATIONS

- \* RECREATIONAL CENTERS, HOTELS
- \* RESTAURANTS
- \* RESIDENTIALS
- \* OTHER INDOOR APPLICATIONS WHERE PENDANT LUMINAIRE IS REQUIRED

## SPECIFICATION FEATURES

- \* LAMP : LED 9W
- \* SOCKET : E27x1
- \* SIZE : dia 250 x H 260 mm (w/o Cable Length)
- \* MATERIAL : Metal Body and Shade

Double shade Outside shade Rose Gold Color  
Inside shade White Color



## ORDERING DATA

CATALOG NO.	COLOR	LAMP TYPE	REMARKS
PSS25-151 /E27x1	ROSE GOLD		