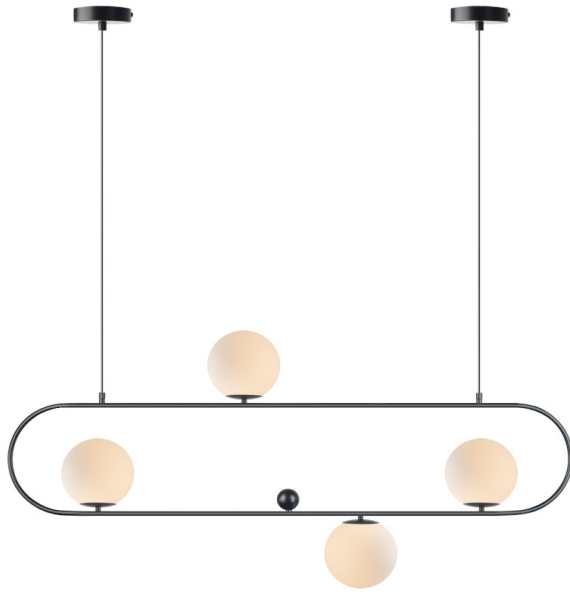


# PSG120-064

PENDANT LUMINAIRE - G9x4

# LUMAX

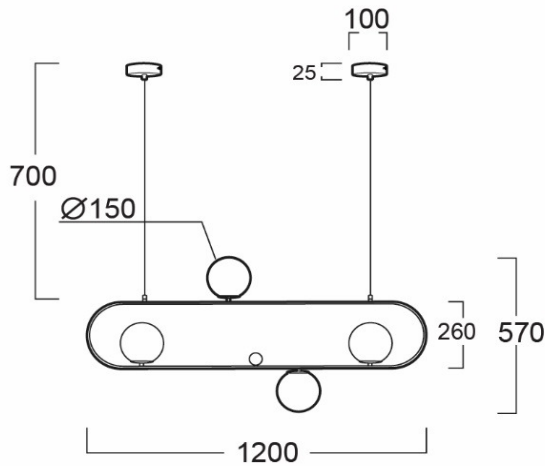


## APPLICATIONS

- \* RECREATIONAL CENTERS, HOTELS
- \* RESTAURANTS
- \* RESIDENTIALS
- \* OTHER INDOOR APPLICATIONS WHERE PENDANT LUMINAIRE IS REQUIRED

## SPECIFICATION FEATURES

- \* LAMP : LED 3W
- \* SOCKET : G9x4
- \* SIZE : W1200 x 150 x 570 mm (W/O Sling Length)
- \* MATERIAL : Metal Body in Black Color  
White Glass shade



## ORDERING DATA

CATALOG NO.	COLOR	LAMP TYPE	REMARKS
PSG120-064 /G9x4	BLACK		