

PSC80-815

PENDANT LUMINAIRE - E14x15



LIGHTING &
EQUIPMENT
PUBLIC COMPANY LIMITED

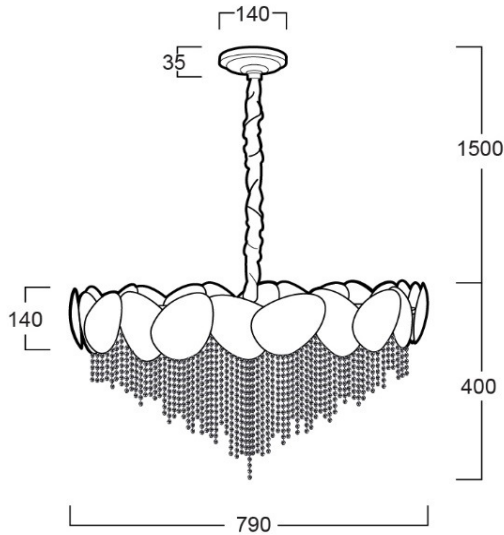


APPLICATIONS

- * RECREATIONAL CENTERS, HOTELS
- * RESTAURANTS
- * RESIDENTIALS
- * OTHER INDOOR APPLICATIONS WHERE PENDANT LUMINAIRE IS REQUIRED

SPECIFICATION FEATURES

- * LAMP : LED 3W
- * SOCKET : E14x15
- * SIZE : dia 790 x H400 mm (without Chain length)
- * Material : Metal in Gold Color, and Chinese Grade A clear crystal
- * WEIGHT : 15 KGS



ORDERING DATA

CATALOG NO.	COLOR	LAMP TYPE	REMARKS
PSC80-815 /E14x15	GOLD		