

# PSC95-029

PENDANT LUMINAIRE - E14x9



**LIGHTING & EQUIPMENT**  
PUBLIC COMPANY LIMITED

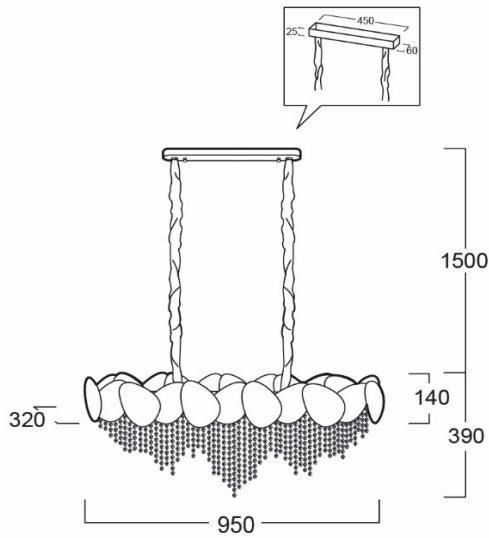


## APPLICATIONS

- \* RECREATIONAL CENTERS, HOTELS
- \* RESTAURANTS
- \* RESIDENTIALS
- \* OTHER INDOOR APPLICATIONS WHERE PENDANT LUMINAIRE IS REQUIRED

## SPECIFICATION FEATURES

- \* LAMP : LED 3W
- \* SOCKET : E14x9
- \* SIZE : W950 x 320 x H390 mm (without Chain length)
- \* Material : Metal in Gold Color, and Chinese Grade A clear crystal
- \* WEIGHT : 12 KGS



## ORDERING DATA

CATALOG NO.	COLOR	LAMP TYPE	REMARKS
PSC95-029 /E14x9	GOLD		