

PSC80-918

PENDANT LUMINAIRE - E14x18



LIGHTING &
EQUIPMENT
PUBLIC COMPANY LIMITED

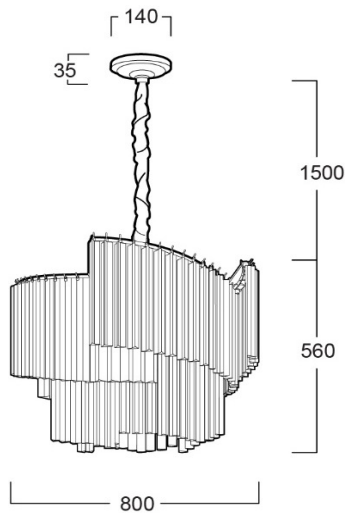


APPLICATIONS

- * RECREATIONAL CENTERS, HOTELS
- * RESTAURANTS
- * RESIDENTIALS
- * OTHER INDOOR APPLICATIONS WHERE
PENDANT LUMINAIRE IS REQUIRED

SPECIFICATION FEATURES

- * LAMP : LED 3W
- * SOCKET : E14x18
- * SIZE : dia 800 x H560 mm (without Chain length)
- * Material : Metal in Gold Color,
and Chinese Grade A clear crystal
- * WEIGHT : 38 KGS



ORDERING DATA

CATALOG NO.	COLOR	LAMP TYPE	REMARKS
PSC80-918 /E14x18			