

# TSF30-121

TABLE LUMINAIRE - E27x1



**LIGHTING &  
EQUIPMENT**  
PUBLIC COMPANY LIMITED

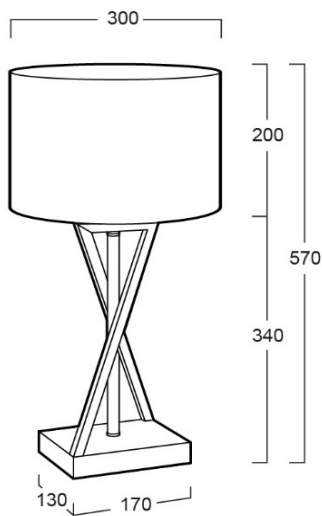


## APPLICATIONS

- \* RECREATIONAL CENTERS, HOTELS
- \* RESTAURANTS
- \* RESIDENTIALS
- \* OTHER INDOOR APPLICATIONS WHERE TABLE LUMINAIRE IS REQUIRED

## SPECIFICATION FEATURES

- \* LAMP : LED 6W
- \* SOCKET : E27 x 1
- \* SIZE : dia 300 x H570 mm
- \* MATERIAL : Metal Body and Fabric Shade
- \* WEIGHT : 3.2 Kgs



## ORDERING DATA

CATALOG NO.	COLOR	LAMP TYPE	REMARKS
TSF30-121 /E27x1			