

WSG22-041/BK

WALLMOUNT LUMINAIRE - E14x1



LIGHTING &
EQUIPMENT
PUBLIC COMPANY LIMITED

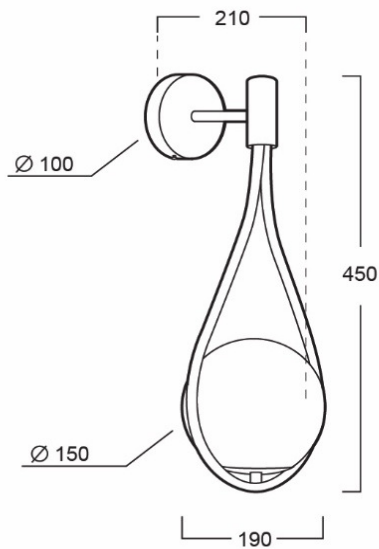


APPLICATIONS

- * RECREATIONAL CENTERS, HOTELS
- * RESTAURANTS
- * RESIDENTIALS
- * OTHER INDOOR APPLICATIONS WHERE WALLMOUNT LUMINAIRE IS REQUIRED

SPECIFICATION FEATURES

- * LAMP : Candle LED
- * SOCKET : E14x1
- * SIZE : W190 x 210 x H450 mm
- * MATERIAL : Metal in Black Color, White Glass



ORDERING DATA

CATALOG NO.	COLOR	LAMP TYPE	REMARKS
WSG22-041/BK /E14x1	BLACK		