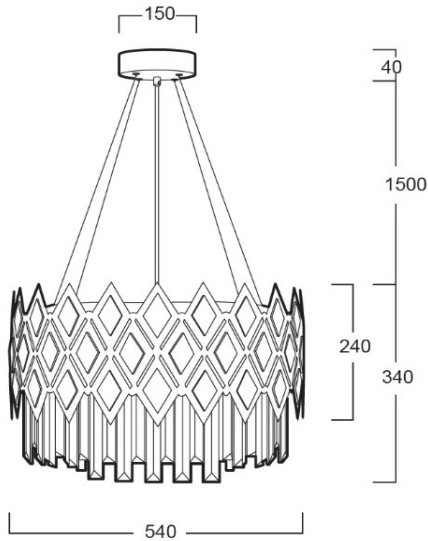


# PSC60-1113

PENDANT LUMINAIRE - E14x13



LIGHTING &  
EQUIPMENT  
PUBLIC COMPANY LIMITED



## APPLICATIONS

- \* RECREATIONAL CENTERS, HOTELS
- \* RESTAURANTS
- \* RESIDENTIALS
- \* OTHER INDOOR APPLICATIONS WHERE PENDANT LUMINAIRE IS REQUIRED

## SPECIFICATION FEATURES

- \* LAMP : LED 3W
- \* SOCKET : E14x13
- \* SIZE : dia 540 x 340 mm (W/O Cable Length)
- \* MATERIAL : Stainless Steel Body in Silver and Gold, Chinese Grade A Crystal
- \* NET WEIGHT : 15 kgs

## ORDERING DATA

CATALOG NO.	COLOR	LAMP TYPE	REMARKS
PSC60-1113/E14x13	SILVER/GOLD		