

PSC60-1210

PENDANT LUMINAIRE - E14x10



LIGHTING &
EQUIPMENT
PUBLIC COMPANY LIMITED

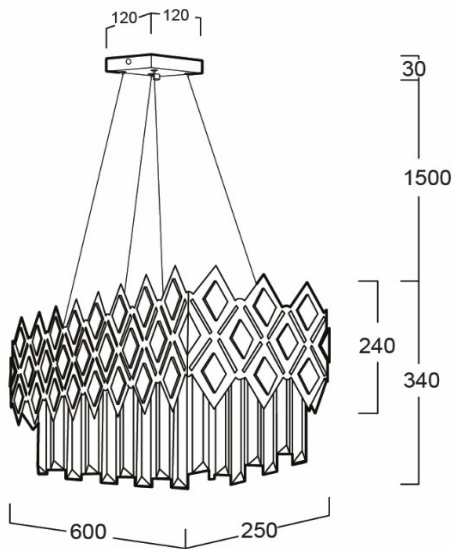


APPLICATIONS

- * RECREATIONAL CENTERS, HOTELS
- * RESTAURANTS
- * RESIDENTIALS
- * OTHER INDOOR APPLICATIONS WHERE PENDANT LUMINAIRE IS REQUIRED

SPECIFICATION FEATURES

- * LAMP : LED 3W
- * SOCKET : E14x10
- * SIZE : W600 x 250 x 340 mm (W/O Cable Length)
- * MATERIAL : Stainless Steel Body in Silver and Gold, Chinese Grade A Crystal
- * NET WEIGHT : 11 kgs



ORDERING DATA

CATALOG NO.	COLOR	LAMP TYPE	REMARKS
PSC60-1210 /E14x10	SILVER/GOLD		