

PSG48-045

PENDANT LUMINAIRE - G9x5



LIGHTING &
EQUIPMENT
PUBLIC COMPANY LIMITED

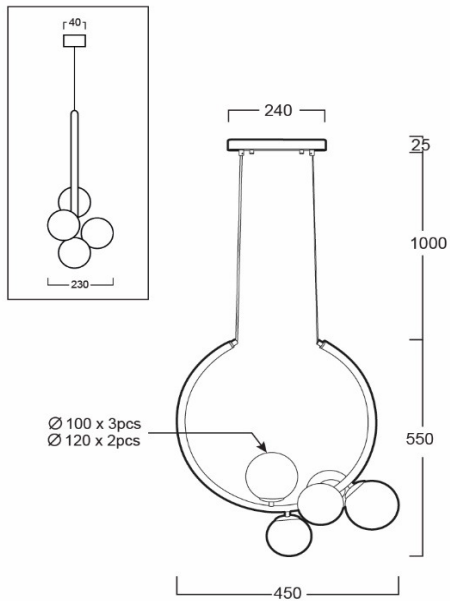


APPLICATIONS

- * RECREATIONAL CENTERS, HOTELS
- * RESTAURANTS
- * RESIDENTIALS
- * OTHER INDOOR APPLICATIONS WHERE PENDANT LUMINAIRE IS REQUIRED

SPECIFICATION FEATURES

- * LAMP : LED 3W
- * SOCKET : G9x5
- * SIZE : W450 x 230 x H550 mm (w/o Cable Length)
- * MATERIAL : Metal Body in Gold Color
White Glass
- * WEIGHT : 3.00 Kgs



ORDERING DATA

CATALOG NO.	COLOR	LAMP TYPE	REMARKS
PSG48-045 /G9x5	GOLD		