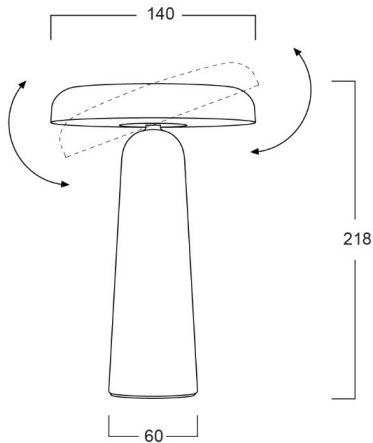


# TSP14-021/WH

TABLE LUMINAIRE /LED4W 3000K



**LIGHTING & EQUIPMENT**  
PUBLIC COMPANY LIMITED



## APPLICATIONS

- \* RECREATIONAL CENTERS, HOTELS
- \* RESTAURANTS
- \* RESIDENTIALS
- \* OTHER INDOOR APPLICATIONS WHERE TABLE LUMINAIRE IS REQUIRED

## SPECIFICATION FEATURES

- \* LAMP : LED 4W
- \* SOCKET : N/A
- \* SIZE : dia140 x H218 mm
- \* MATERIAL : Metal Body in White
- \* Touch Switch On/Off, Dim, Adjustable head
- \* Rechargeable lithium battery 5V
- \* Type C charging socket

## ORDERING DATA

CATALOG NO.	COLOR	LAMP TYPE	REMARKS
TSP14-021/WH	WHITE		