

PSG85-069

PENDANT LUMINAIRE - E27x9



**LIGHTING &
EQUIPMENT**
PUBLIC COMPANY LIMITED

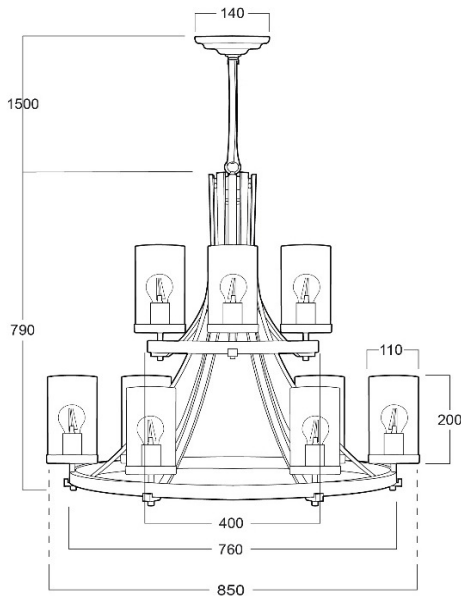


APPLICATIONS

- * RECREATIONAL CENTERS, HOTELS
- * RESTAURANTS
- * RESIDENTIALS
- * OTHER INDOOR APPLICATIONS WHERE PENDANT LUMINAIRE IS REQUIRED

SPECIFICATION FEATURES

- * LAMP : LED 3W
- * SOCKET : E27x9
- * SIZE : Dia 850 x 790 mm (w/o Chain Length)
- * MATERIAL : Metal Body in Matt Black, and Wood Color Glass Shade
- * WEIGHT : 16 Kgs



ORDERING DATA

CATALOG NO.	COLOR	LAMP TYPE	REMARKS
PSG85-069 /E27x9	Black, Brown		