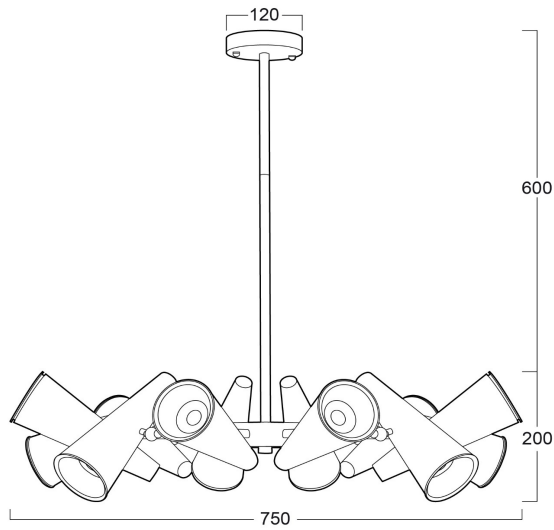


PSA75-112

PENDANT LUMINAIRE - GU10x12

LUMAX



APPLICATIONS

- * RECREATIONAL CENTERS, HOTELS
- * RESTAURANTS
- * RESIDENTIALS
- * OTHER INDOOR APPLICATIONS WHERE PENDANT LUMINAIRE IS REQUIRED

SPECIFICATION FEATURES

- * LAMP : PAR16 7W
- * SOCKET : GU10x12
- * SIZE : dia 750 x H800 mm
- * MATERIAL : Metal body in AB and Black color
- * WEIGHT : 5.80 Kgs
- * Adjustable head

ORDERING DATA

CATALOG NO.	COLOR	LAMP TYPE	REMARKS
PSA75-112 /GU10x12	AB / Black	PAR16	