

# PSW35-031

PENDANT LUMINAIRE -E27x1

**LUMAX**

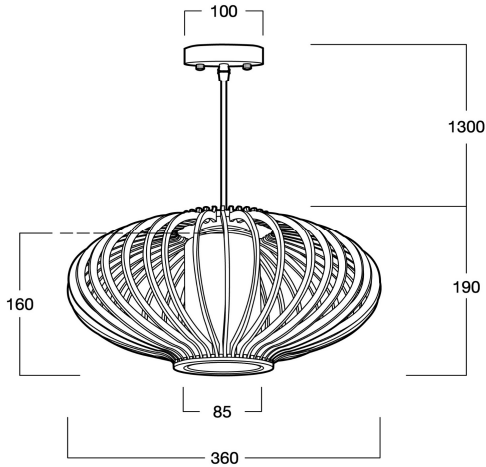


## APPLICATIONS

- \* RECREATIONAL CENTERS, HOTELS
- \* RESTAURANTS
- \* RESIDENTIALS
- \* OTHER INDOOR APPLICATIONS WHERE PENDANT LUMINAIRE IS REQUIRED

## SPECIFICATION FEATURES

- \* LAMP : LED 3W
- \* SOCKET : E27x1
- \* SIZE : Dia 360 x H190 mm (w/o Cable Length)
- \* MATERIAL : Wood and Glass
- \* WEIGHT : 1.20 Kgs



## ORDERING DATA

CATALOG NO.	COLOR	LAMP TYPE	REMARKS
PSW35-031 /E27	BROWN		