

PSS50-156

PENDANT LUMINAIRE - E14x6

LUMAX

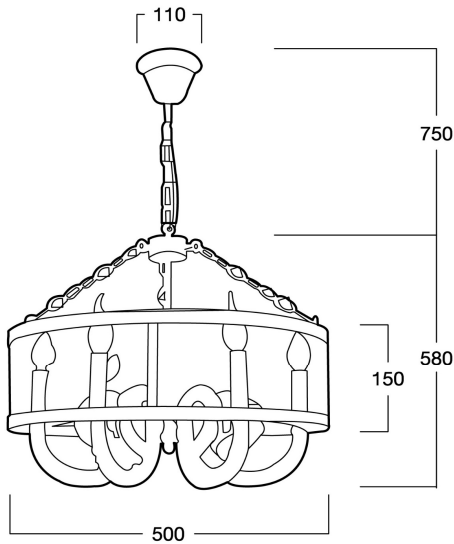


APPLICATIONS

- * RECREATIONAL CENTERS, HOTELS
- * RESTAURANTS
- * RESIDENTIALS
- * OTHER INDOOR APPLICATIONS WHERE PENDANT LUMINAIRE IS REQUIRED

SPECIFICATION FEATURES

- * LAMP : LED 3W
- * SOCKET : E14x6
- * SIZE : dia 500 x H580 mm (w/o Cable Length)
- * MATERIAL : Metal in Black Color, Rope
- * WEIGHT : 4.60 Kgs



ORDERING DATA

CATALOG NO.	COLOR	LAMP TYPE	REMARKS
PSS50-156 /E14x6	BLACK		