

TPP11-032/GR

TABLE LUMINAIRE - LED2W 3000K

LUMAX

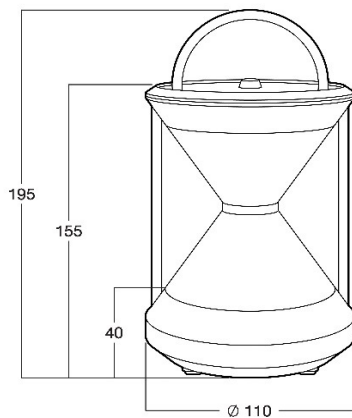


APPLICATIONS

- * RECREATIONAL CENTERS, HOTELS
- * RESTAURANTS
- * RESIDENTIALS
- * OTHER INDOOR APPLICATIONS WHERE TABLE LUMINAIRE IS REQUIRED

SPECIFICATION FEATURES

- * LAMP : LED 2W
- * SOCKET : N/A
- * SIZE : dia 110 x 195 mm
- * MATERIAL : ABS+PC+AL
- * Touch switch, separate top / bottom light, dimmable
- * Input : DC5V 2A (exclude charger)
- * USB : Type C charging socket
- * Charging period 2-4 Hours
- * WEIGHT : 0.45 Kg



ORDERING DATA

CATALOG NO.	COLOR	LAMP TYPE	REMARKS
TPP11-032/GR/LED2W	GREEN		