

# PWG110-018

PENDANT LUMINAIRE - E27x8



LIGHTING &  
EQUIPMENT  
PUBLIC COMPANY LIMITED

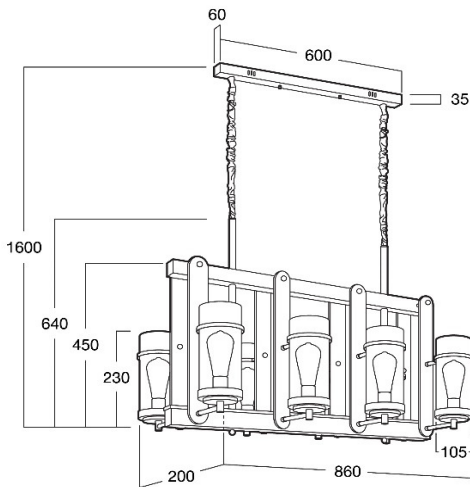


## APPLICATIONS

- \* RECREATIONAL CENTERS, HOTELS
- \* RESTAURANTS
- \* RESIDENTIALS
- \* OTHER INDOOR APPLICATIONS WHERE PENDANT LUMINAIRE IS REQUIRED

## SPECIFICATION FEATURES

- \* LAMP : LED 6W
- \* SOCKET : E27x8
- \* SIZE : W860 x 200 x 640 mm (w/o Chain Length)
- \* MATERIAL : Metal and Wood Body, Glass Shade
- \* WEIGHT : 11 Kgs.



## ORDERING DATA

CATALOG NO.	COLOR	LAMP TYPE	REMARKS
PWG110-018/E27x8	BLACK / BROWN	LED 6W	