

WWG22-021

WALLMOUNT LUMINAIRE - E27x1



**LIGHTING &
EQUIPMENT**
PUBLIC COMPANY LIMITED

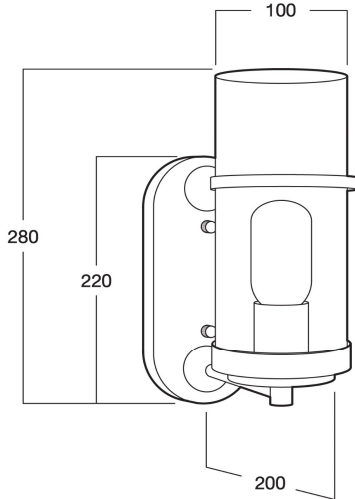


APPLICATIONS

- * RECREATIONAL CENTERS, HOTELS
- * RESTAURANTS
- * RESIDENTIALS
- * OTHER INDOOR APPLICATIONS WHERE WALLMOUNT LUMINAIRE IS REQUIRED

SPECIFICATION FEATURES

- * LAMP : LED 3W
- * SOCKET : E27x1
- * SIZE : W100 x 200 x H 280 mm
- * MATERIAL : Metal and Wood Body, Glass Shade
- * WEIGHT : 1.15 Kgs.



ORDERING DATA

CATALOG NO.	COLOR	LAMP TYPE	REMARKS
WWG22-021 /E27x1	BLACK / BROWN	6W	