

# PSW28-013

PENDANT LUMINAIRE -E27x3

# LUMAX

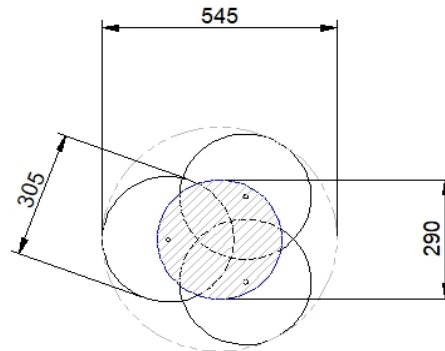
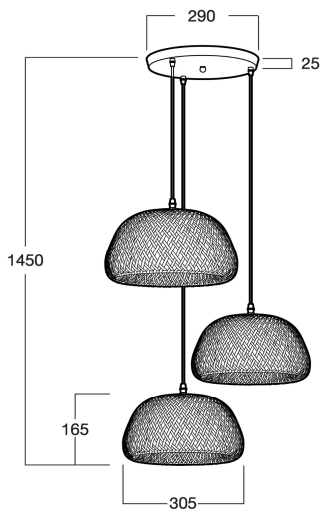


## APPLICATIONS

- \* RECREATIONAL CENTERS, HOTELS
- \* RESTAURANTS
- \* RESIDENTIALS
- \* OTHER INDOOR APPLICATIONS WHERE PENDANT LUMINAIRE IS REQUIRED

## SPECIFICATION FEATURES

- \* LAMP : LED 6W
- \* SOCKET : E27x3
- \* SIZE : dia 545 x H1450 mm (with Cable Length)
- \* MATERIAL : Metal Plate and woven Bamboo shade
- \* WEIGHT : 1.80 Kgs



## ORDERING DATA

CATALOG NO.	COLOR	LAMP TYPE	REMARKS
PSW28-013 /E27x3	BROWN		