

# PWS68-015

PENDANT LUMINAIRE - E27x5



LIGHTING &  
EQUIPMENT  
PUBLIC COMPANY LIMITED

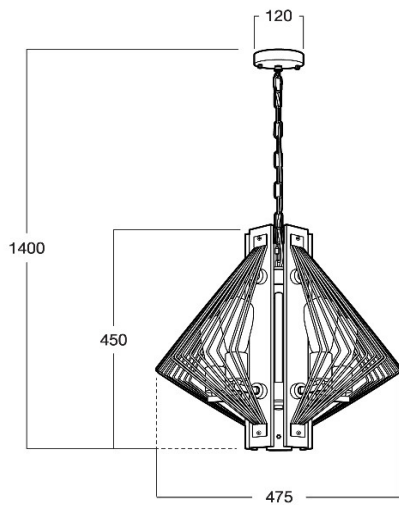


## APPLICATIONS

- \* RECREATIONAL CENTERS, HOTELS
- \* RESTAURANTS
- \* RESIDENTIALS
- \* OTHER INDOOR APPLICATIONS WHERE PENDANT LUMINAIRE IS REQUIRED

## SPECIFICATION FEATURES

- \* LAMP : LED 6W
- \* SOCKET : E27x5
- \* SIZE : dia 475 x 450 mm (w/o Chain Length)
- \* MATERIAL : Metal and Wood Body
- \* WEIGHT : 5.30 Kgs.



## ORDERING DATA

CATALOG NO.	COLOR	LAMP TYPE	REMARKS
PWS68-015 /E27x5	BLACK / BROWN	LED 6W	