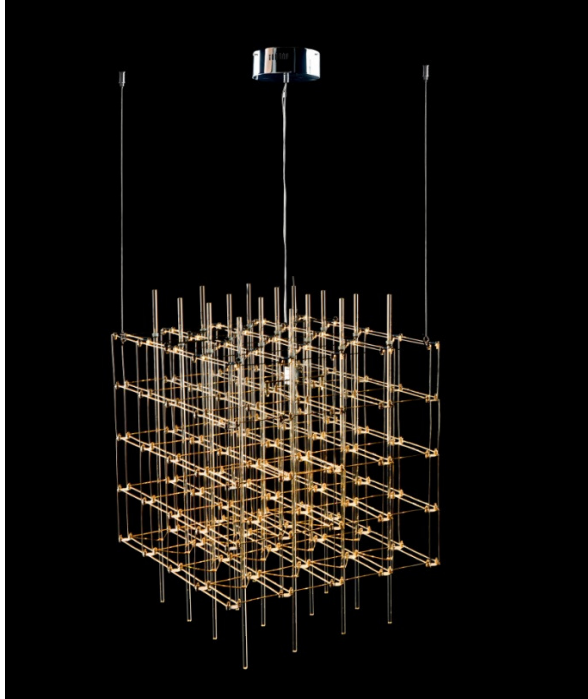


# PSG40-160

## PENDANT LUMINAIRE



**LIGHTING & EQUIPMENT**  
PUBLIC COMPANY LIMITED

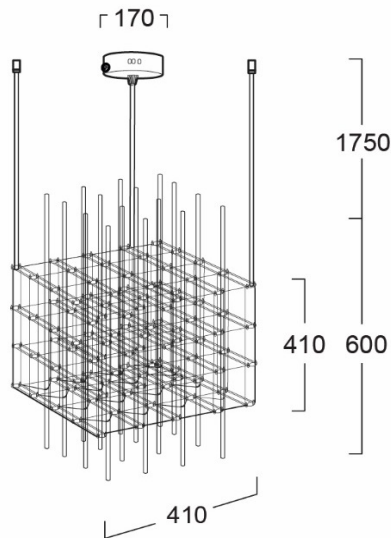


### APPLICATIONS

- \* RECREATIONAL CENTERS, HOTELS
- \* RESTAURANTS
- \* RESIDENTIALS
- \* OTHER INDOOR APPLICATIONS WHERE PENDANT LUMINAIRE IS REQUIRED

### SPECIFICATION FEATURES

- \* LAMP : LED60W 3000K
- \* SOCKET : N/A
- \* SIZE : Dia 410 x 410 (w/o Cable Length)
- \* MATERIAL : Metal Base, Stainless Steel Body and Glass Rod



### ORDERING DATA

CATALOG NO.	COLOR	LAMP TYPE	REMARKS
PSG40-160 /LED60W	CHROME		