

PSG60-250

PENDANT LUMINAIRE



**LIGHTING &
EQUIPMENT**
PUBLIC COMPANY LIMITED

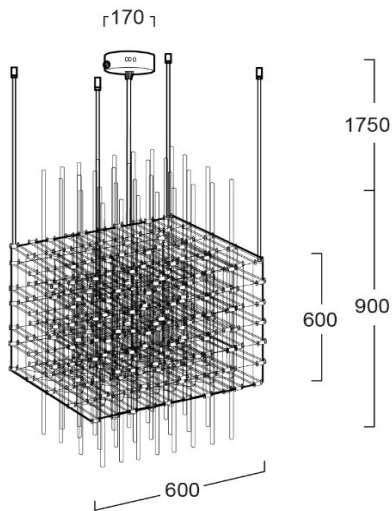


APPLICATIONS

- * RECREATIONAL CENTERS, HOTELS
- * RESTAURANTS
- * RESIDENTIALS
- * OTHER INDOOR APPLICATIONS WHERE
PENDANT LUMINAIRE IS REQUIRED

SPECIFICATION FEATURES

- * LAMP : LED100W 3000K
- * SOCKET : N/A
- * SIZE : Dia 600 x 600 (w/o Cable Length)
- * MATERIAL : Metal Base, Stainless Steel Body
and Glass Rod



ORDERING DATA

CATALOG NO.	COLOR	LAMP TYPE	REMARKS
PSG60-250/100W	CHROME		