

PAA127-012

PENDANT LUMINAIRE - LED 9W



**LIGHTING &
EQUIPMENT**
PUBLIC COMPANY LIMITED

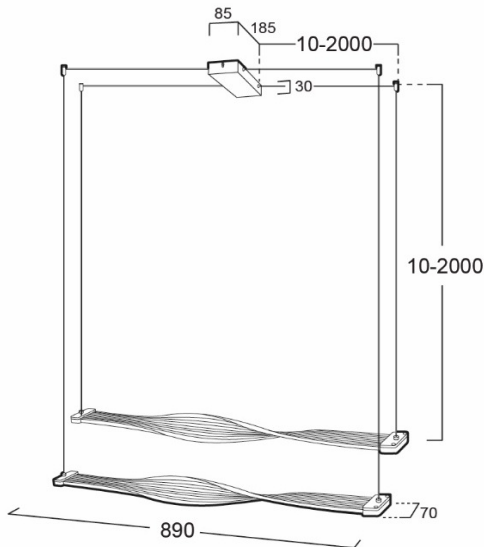


APPLICATIONS

- * RECREATIONAL CENTERS, HOTELS
- * RESTAURANTS
- * RESIDENTIALS
- * OTHER INDOOR APPLICATIONS WHERE
PENDANT LUMINAIRE IS REQUIRED

SPECIFICATION FEATURES

- * LAMP : LED 9W 4000K
- * SOCKET : N/A
- * SIZE : W890 x 185 x 2000 mm (Include Cable Length)
- * MATERIAL : Metal Body and Acrylic diffuser



ORDERING DATA

CATALOG NO.	COLOR	LAMP TYPE	REMARKS
PAA127-012 /LED9W	SILVER		