

# PAP80-033

PENDANT LUMINAIRE - LED 70W 3000K



LIGHTING &  
EQUIPMENT  
PUBLIC COMPANY LIMITED

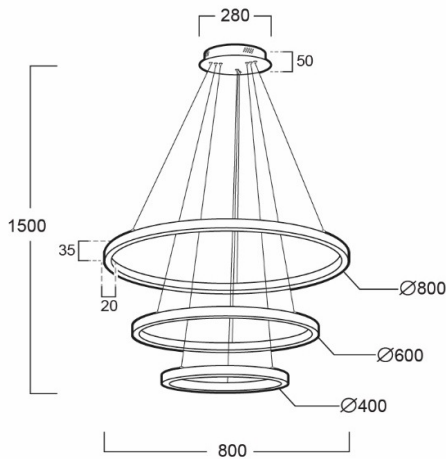


## APPLICATIONS

- \* RECREATIONAL CENTERS, HOTELS
- \* RESTAURANTS
- \* RESIDENTIALS
- \* OTHER INDOOR APPLICATIONS WHERE PENDANT LUMINAIRE IS REQUIRED

## SPECIFICATION FEATURES

- \* LAMP : LED 70W
- \* SIZE : 3 Rings dia 800, 600, 400 x 1500 mm (include sling length)
- \* COLOR TEMPERATURE : 3000K
- \* LED DRIVER : MW#ELG-100-36A3Y/100W/1.33-2.66 A
- \* MATERIAL : Aluminium Body, Acrylic cover in Brushed Gold color
- \* WEIGHT : 8 kgs



## ORDERING DATA

CATALOG NO.	COLOR	LAMP TYPE	REMARKS
PAP80-033 /LED70W	Brushed Gold	LED	