

# WSS31-012

WALLMOUNT LUMINAIRE - LED12W 3000K



LIGHTING &  
EQUIPMENT  
PUBLIC COMPANY LIMITED

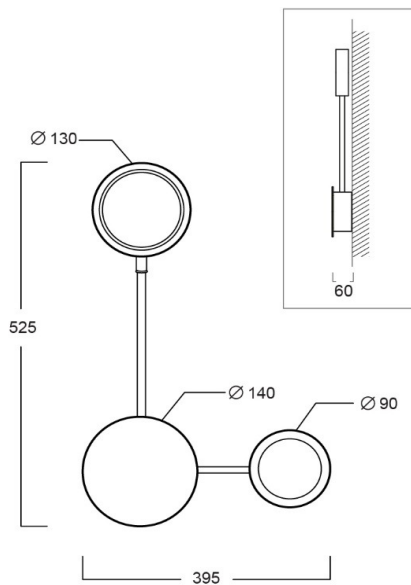


## APPLICATIONS

- \* RECREATIONAL CENTERS, HOTELS
- \* RESTAURANTS
- \* RESIDENTIALS
- \* OTHER INDOOR APPLICATIONS WHERE WALLMOUNT LUMINAIRE IS REQUIRED

## SPECIFICATION FEATURES

- \* LAMP : LED12W 3000K
- \* SOCKET : N/A
- \* SIZE : W395 x 60 x H525 mm
- \* MATERIAL : Metal in Black Color, and Acrylic
- \* WEIGHT : 0.80 Kg



## ORDERING DATA

CATALOG NO.	COLOR	LAMP TYPE	REMARKS
WSS31-012/LED12W	BLACK		