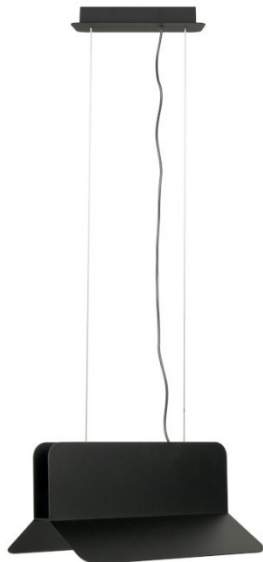


# PSS29-041/BK/SQ

PENDANT LUMINAIRE - LED 6W 3000K



LIGHTING &  
EQUIPMENT  
PUBLIC COMPANY LIMITED

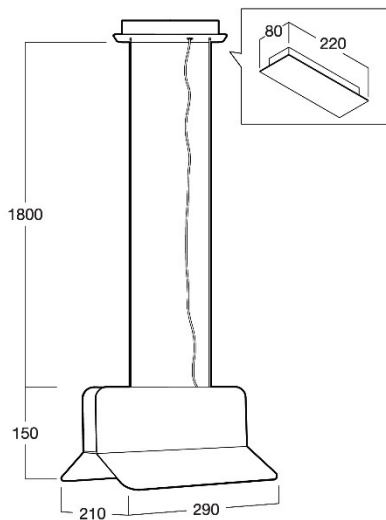


## APPLICATIONS

- \* RECREATIONAL CENTERS, HOTELS
- \* RESTAURANTS
- \* RESIDENTIALS
- \* OTHER INDOOR APPLICATIONS WHERE  
PENDANT LUMINAIRE IS REQUIRED

## SPECIFICATION FEATURES

- \* LAMP : LED 6W 3000K
- \* SOCKET : N/A
- \* SIZE : W290 x 210 x H150 mm (w/o Cable Length)
- \* Material : Metal body in Black Color
- \* Weight : 2.60 Kgs



## ORDERING DATA

CATALOG NO.	COLOR	LAMP TYPE	REMARKS
PSS29-041/BK/SQ /LED6W	BLACK		