

PSS28-091/WH/R

PENDANT LUMINAIRE - LED 6W 3000K



LIGHTING &
EQUIPMENT
PUBLIC COMPANY LIMITED

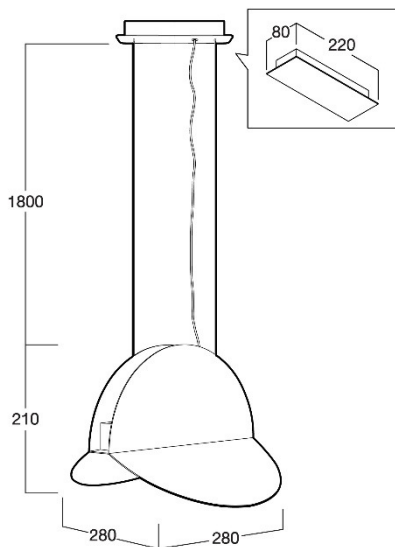


APPLICATIONS

- * RECREATIONAL CENTERS, HOTELS
- * RESTAURANTS
- * RESIDENTIALS
- * OTHER INDOOR APPLICATIONS WHERE PENDANT LUMINAIRE IS REQUIRED

SPECIFICATION FEATURES

- * LAMP : LED 6W 3000K
- * SOCKET : N/A
- * SIZE : W280 x 280 x H210 mm (w/o Cable Length)
- * Material : Metal body in White Color
- * Weight : 2.80 Kgs



ORDERING DATA

CATALOG NO.	COLOR	LAMP TYPE	REMARKS
PSS28-091/WH/R /LED6W	WHITE		